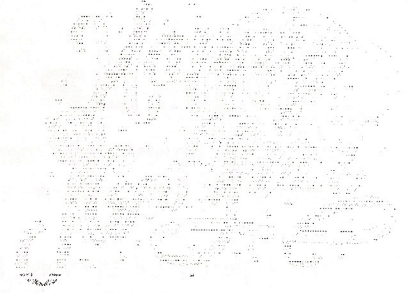


# FOREST LAKE



JANUARY, 2000

## ICE SAFETY ALERT

This is the time of year when we all cannot wait to enjoy the lake in a different way, whether it be skating, ice fishing, snowmobiling, or just taking a walk along it to enjoy a whole new view. We need to remember that when the ice starts to cover the lake, that it is not going to be the same thickness over the whole lake. There may be water flow under a few areas that is going to make the ice thinner. A general rule is 4 inches of good clear ice to walk on, and at least 5 to 6 inches for snowmobiles and ATVs, and Ice Houses. The ice fishermen should carry a rope and two screwdrivers or ice picks in their pockets, in case of a breakthrough these can be used to help you get back up onto the ice. Forest lake does not have any strong currents, so the danger of drifting away under the water is lessened but not completely gone. The temperature of freezing water is just under 32 degrees, which can completely take your breath away when submerged.

If you are a snowmobiler on the lake, please be courteous of others, those who are on skates or walking, ice fishermen and their tip ups, and people who have shoveled an ice skating rink. If there is not enough snow, please do not use the parks as part of your trail. Ice fishermen, please also be courteous and do not place your holes too close to shore, and do not make your holes larger than the legal size, (our two year old fell through an illegal 12 inch hole when we first moved out here). I hope the ice stays frozen for a long time this winter, and that we can all enjoy it safely. Happy recreation to all.

## Breakfast With the Big Guy



Everyone who attended The FLCA's Annual Breakfast with Santa agrees that it was a wonderful time. There was plenty of good food, and company, and the children had a great time jumping up on the Great St. Nick's lap and sharing their secret wishes. All of the kid's received a candy cane and coloring book from Santa, as well as a goody bag popping at the seams from all of the treats. Breakfast included French Toast, waffles, sausages, juice and milk, Donuts and coffee were also available for the adults. Thank you to all of the volunteers who showed up so early to help Laura Tegtemier continue to make this FLCA event one of the best, and thank you to Mr. Claus for donning your red suit and giving so much of yourself, even after the breakfast was over. Many of the people who attended the breakfast also went on to the Forgotten Children's Foundation's second wrapping Party to finish wrapping all of the gifts, and saw Santa there as well, helping to wrap and spreading a little more holiday cheer. Hope you all had a joyful and merry holiday season.

## ICE FISHING DERBY!!!

Ready-Set-Freeze !! The Forest Lake Annual Ice Fishing Derby (AKA; Frozen Butt-a-Thon) will be held this year on February 5th and 6th, starting at daybreak Saturday and ending at 4:00pm on Sunday. Fees are \$5 per person, or \$10 per family. The Derby is open to Dues Paying Members and their guests, and must have a current Illinois Fishing License and be . Categories are Pan fish, Northern, and Bass, with Prizes for all winning fish. Look for the banners on the West end of the lake, and if you have any questions, please call Jim (Frozenest Butt of Them All) Tegtemier at 438-3688.

# HELP ~~WANTED~~ NEEDED!

Calling all Forest Lake members! Your assistance is needed to help run the Annual events in our community. We are forming committees and subcommittees for each event, which include; helping to organize, refreshments for an event, helping to set up or cleanup for an event, handing out the raffle tickets, etc. There are approximately six events ( Spring Cleanup, The Easter Egg Hunt, Ice Fishing Derby and Summer Fishing Derby, Breakfast with Santa...) per year. We have also been talking about adding a few more, (eg; Venetian Night, Pig Roast, Cardboard Boat Races). Considering that there are about 630 homes in Forest Lake, there should be more than enough volunteers to help handle our get-togethers. Unfortunately, except for a very small handful of helpers, (you know who you are, and we sincerely thank you!!) the parties are put together by our Laura (I need some HELP)Tetgemier We will have a list for sign-up at our monthly meetings which are on the second Tuesday of each month at 7:30 PM, or if you would like to call Laura Tetgemier at and volunteer your time. These events are important to our community as we see by the increasing attendance at each event. We are all volunteers, the dues help to pay for the parties, but not for our time, the FLCA Board members are NOT compensated for their services and we pay our annual dues just like other members of the association. Please, if you enjoy, or have children that enjoy attending our events, or if you have a little bit of time to spare once or twice a year, consider volunteering for something in your own community. Forest Lake is a special place, and we like to think that our Annual events are a part of what makes it special. Let's all help to keep it that way. Thanks , and hope to see you at a Board Meeting.

## *Congratulations*

...to Mikey Deenihan from his family on having his design for a Holiday card chosen by the Superintendent of District 95. His card will be sent to businesses in the area. He attends fourth grade at May Whitney school, and says, "If you do something you really like, you'll get great surprises!"

Good going Mikey from all of us in Forest Lake.

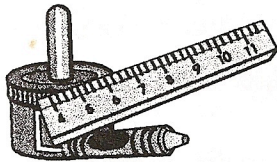
If you would like to try your talent at design, why not join our contest on the Kid's page and see if you can dream up a new name for our newsletter! More details on the next page...

## **Community Center Rentals**

Because of the new Facelift at our Community Center, rentals have been increasing. It is a wonderful place to hold any kind of event, including Graduation Parties, 40th Birthdays, anniversaries, etc. The rental includes full use of all the facilities, inside and out, (park is included in the rental). This year it will be looking better than ever, as we are planning on renovating the interior. We will be bringing ideas to the next board meeting for interior remodeling, if you have any expertise, ideas, access to raw materials, or experience please bring them on January 11th. If you are interested in renting the Center , you can call Mark Thorne at 540-9078 to obtain a Rental Agreement and find out more.

# Kid's Page

A page for the Little Forest Lakers



## Name the Newsletter Contest

Pull out those pencils, crayons, markers and ideas! We are holding a contest to name the Forest Lake Newsletter for the millennium. The contest is open to member's children 15 and under, and the winning entry will be used as the new name for the newsletter and upcoming web page. There will be a first Prize of a Toy Store Gift Certificate and three prizes for honorable mentions. Some ideas are : what living here means to you, the lake, the people, friends & neighbors, recreation, etc. Send your entry (no larger than 3" by 8") to

Name the Newsletter  
Post Office Box 314  
Lake Zurich Il 60047



(EXAMPLE)

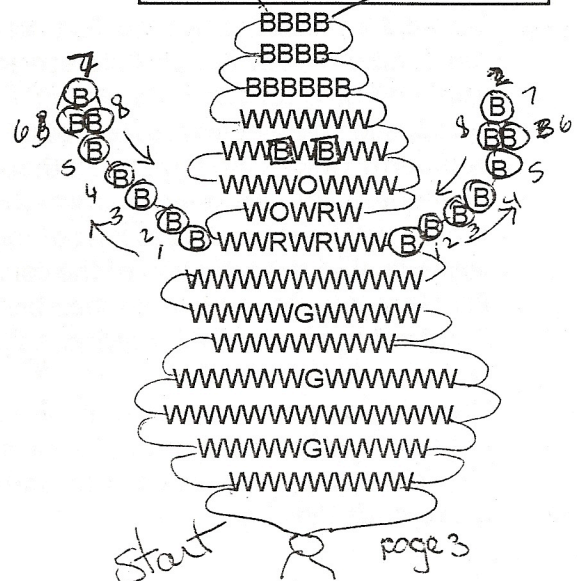
Include your name, age, address and phone number. You may enter more than once, however, entries must be mailed seperately. Contest ends March 1st. Winners will be announced in the March newsletter. Good Luck!

## Snowman Beady Baby

This ideas is from the Crayola kid's web site, For more ideas, check out the web at <http://www.bhg.com/crayolakids/makeit/>

1. Fold the cord exactly in half, and tie a small knot at the folded end.
2. String the beads for the first row onto the right cord, following the diagram. Then weave the left cord through those beads, from left to right.
3. String the second row of beads onto the right cord, and weave the left cord through them, left to right. Continue in this manner, stringing beads onto the right cord and weaving the left cord through them
4. For the arms ~~and legs~~, thread the beads in the order shown by the numbers on the diagram.
5. When you're done, tie a knot in the end and trim the cord.

What you'll need;  
2 yards of plastic cord  
Beads; 84 white W  
18 brown B  
15 blue B  
2 orange O  
2 black B  
3 RED R  
3 green G  
scissors



# THE BYLAWS

---

*These are the bylaws that were discussed, voted on, and passed at the 1999 Annual Board Meeting held in December.*

- > Any cars parked overnight on FLCA property will be towed at the owner's expense.
- > Pumping water from the lake for personal use when the water level is too low to spill over the dam at the North end of the lake shall be prohibited
- > The Board shall be permitted to raise the annual dues and make special assessments as needed within the laws of this state.
- > The three meeting attendance rule shall be enforced at the Board's discretion.
- > The Board member's Dues Waiver shall be officially rescinded.
- > The Board shall have the right to remove any and all signage placed on common areas or easements.
- > Impound and storage fees (fixed annually and waivable by the Board) for boats removed from their moorings for sticker and other rule violations.
- > Ban smoking from the Community Center at all times other than private rentals.

*Questions, comments? Please come to the next board meeting, and we will be happy to answer all your queries.*

## **P.E.P. TALK**

The P.E.P. Squad Vicky O'Donnell (847)550-1619  
VOD0921@aol.com

Well here we are crossing over into a "New Millennium". I hope this note finds you all happy and healthy as the new year is finally upon us. I want to say, "Thank you" to all the families that have graciously contributed funds to our Park equipment project on our dues notice, This support means the world to us. It makes us that much closer to reaching our goal for new equipment at the West, south, and Community Center parks. To those of you whom live on the West side of Forest Lake, you should be aware that the drainage problem must be fixed before any equipment is installed at that park. The Board has been discussing this problem and is going to do their best to resolve it come spring. (As always, funds for this are being looked into by the Association).

Before the Christmas Holiday, Pam Newton phoned me and informed me that Mark Beaubian (state rep 52nd dist.) Senator Bill Peterson and Mr. Bob Grever (Ela Twsp) are trying to work together to attain funding for our parks project. I in turn, had to send a letter to those involved with our "proposed" budget and parks ideas. Mark Beaubian called me after Christmas and gave me some wonderful news. And I quote..."I thought you might like to know that I will be filing my legislative add on requests for next year's budget when the Spring session begins on January 12th, 2000. Your project will be submitted as part of my request". There are no guarantees for these funds, but heck, at least we have the attention of the county and the state, right? He, Senator Peterson, Bob Grever and Pam Newton are going to do their best to help with the funding for our parks project. My deepest "Thanks" to all of them for giving it their best. We shall see the outcome as early as mid-April. Say your prayers, please!

The more support we have from our own homeowners the better. Start attending meetings, writing letters or even just a phone call means the world of difference to know you all want a safe place for your children to play. When I hear something you 'll all hear...until then have a healthy and prosperous New Year!

## **FOREST LAKE COMMUNITY ASSOCIATION Steinken Beach - Boat Permit Lottery**

**Your Forest Lake Community Association Board, at the request of many of its members, has devised the following lottery system for the distribution of a total of 25 boat stickers for storage of boats at Steinken Park. Residents have voiced concerns that too many boats stored at our swimming beaches have become a safety concern as well as an eyesore.**

**Each year, beginning in 2000, a lottery will be held for current stickers numbered 1-25 specifically for the storage of boats at Steinken Park (South Beach). Should it become necessary, a similar program shall be performed for our other swimming beaches.**

### **LOTTERY PROCESS**

- **Will begin promptly at the Community Center at 7:00 PM Tuesday, January 11, 2000 (Prior to regular board meeting)**
- **Dues paid AND boat sticker paid Members Only or proxy representatives**
- **After confirmation of dues/sticker payment, individuals will draw up to two randomly numbered tickets (Provided two stickers have been purchased)**
- **At 7:30 PM sharp, twenty five numbers will be publicly drawn from total entries and stickers 1-25 will be logged and distributed to those individuals in possession of matching numbers**
- **Stickers are to be used only by the paid member assigned that number and are non-transferable**
- **Stickers are valid for one season only and members must attend the following year's lottery to have the opportunity to be awarded a new sticker**
- **Any and all boats stored at Steinken Park not displaying the current sticker numbered 1-25 prior to Saturday, May 13, 2000 will be removed to the boat launch area at Luttrell Park**
- **All registered boats must be attached to the cable provided along the east side of the park – NO BOATS ARE TO BE STORED ON BEACH AREA**

**Your Forest Lake Community Association**



Forest Lake Community Association  
P.O. Box 314  
Lake Zurich, Illinois 60047

BULK RATE  
U.S. POSTAGE PAID  
PERMIT NO. 233  
LAKE ZURICH, IL.

\*\*\*\*\* *ECRWSS \*\*R 004*  
*POSTAL CUSTOMER*

#### Your F.L.C.A. Board Members

Steve Norman	540-8857	Chairman, Community Center Maintenance
Greg Hatz	540-9427	Vice Chairman
Maija Boriss	438-3114	Secretary
Steve Bennett	540-7204	Treasurer
Laura Tegtmeier	438-3688	Activities, Government Liaison
Patrick Lynn	438-0859	Membership, Dues
Dave Hembd	550-9004	Lake Committee Chair
Jodi DeGeorge	726-8815	Newsletter
Vic Vassalo	438-8013	Chairman Emeritus
Mark Thorne	540-9078	Community Center Rentals
Dominic Tufano	550-6726	Environmental
Pat DeGeorge	726-8815	Parks

#### Upcoming Events

Jan. 11	January, 2000 Meeting
Jan. 11	South Beach Boat Sticker Drawing (7:00 p.m.)
Feb. 5 - 6	Annual Ice Fishing Derby
Feb. 8	February, 2000 Meeting
May 13	Spring Clean-up

THE NEXT FLCA BOARD MEETING  
WILL BE HELD ON TUESDAY,  
JANUARY 11, IN THE COMMUNITY  
CENTER AT 7:30 P.M.